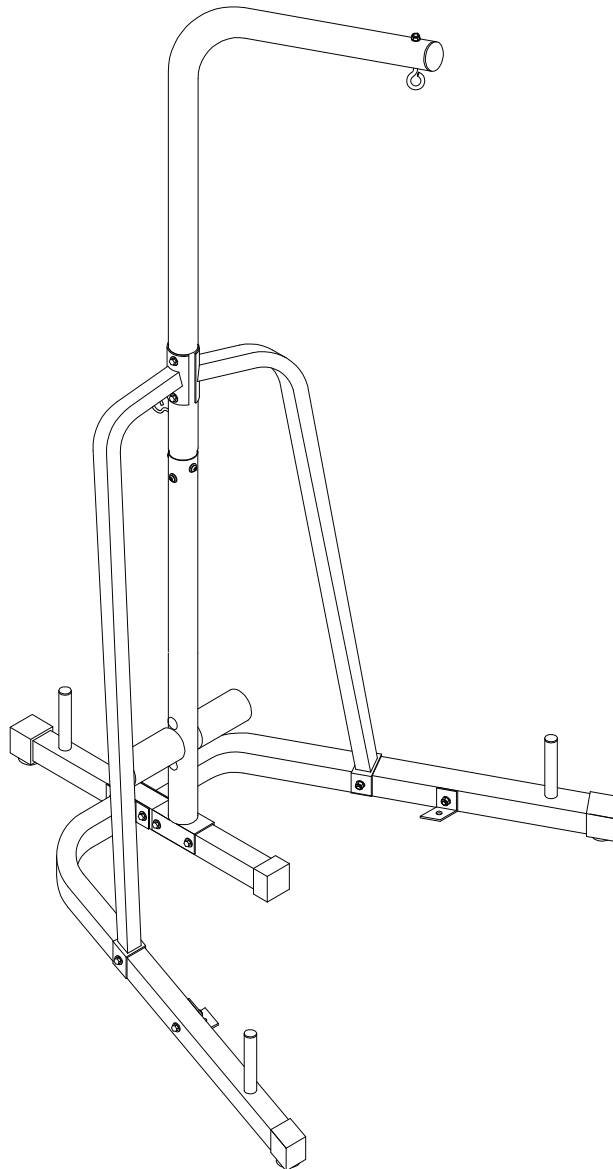




BOXING STAND

Model No:
VIMPSBS



Retain this owner's manual for future reference
Read and follow all instructions in this owner's manual

Version A



Warranty Registration Form

Congratulations on purchasing your product, we at GPI believe that our product range is of the highest quality and represents great value for money.

We back our product range up with our industry leading warranty.

Please see below for the step by step instructions on how to register your product warranty online.



Step 1 Visit our Website

Go to the GPI Sports website: www.gpisports.com.au/warranty



Step 2 Enter Purchase Information

Enter all purchase information including the serial number and proof of purchase which can be uploaded from this page



Step 3 Call Our Toll Free Number

If a warranty service request is required on your product please call the toll free number - **1800 005 770**

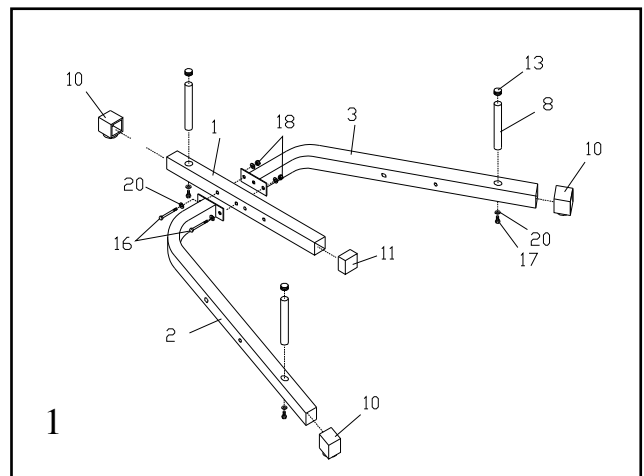
PART LIST

PART NO:	DESCRIPTION	Q'TY	
1.	BASE CONNECT TUBE	1	
2.	LEFT BASE	1	
3.	RIGHT BASE	1	
4.	VERTICAL BEAM	1	
5.	TOP CROSS BEAM	1	
6.	LEFT BRACE FRAME	1	
7.	RIGHT BRACE FRAME	1	
8.	STORAGE POST	3	
9.	STEEL PLATE	2	
10.	RUBBER END CAP	3	
11.	RUBBER CAP	1	
12.	60MM ROUND END CAP	1	
13.	25MM ROUND END CAP	5	
14.	HOOK	1	
15.	M10*80MM	HEX BOLT	2
16.	M10*70MM	HEX BOLT	8
17.	M10*20MM	HEX BOLT	7
18.	M10	NYLON NUT	11
19.	M10	ARC WASHER	10
20.	M10	WASHER	19
21.	M10	NUT	1
22.	LEG LIFT PAD BAR	1	
23.	LEG LIFT PAD	2	

STEP 1

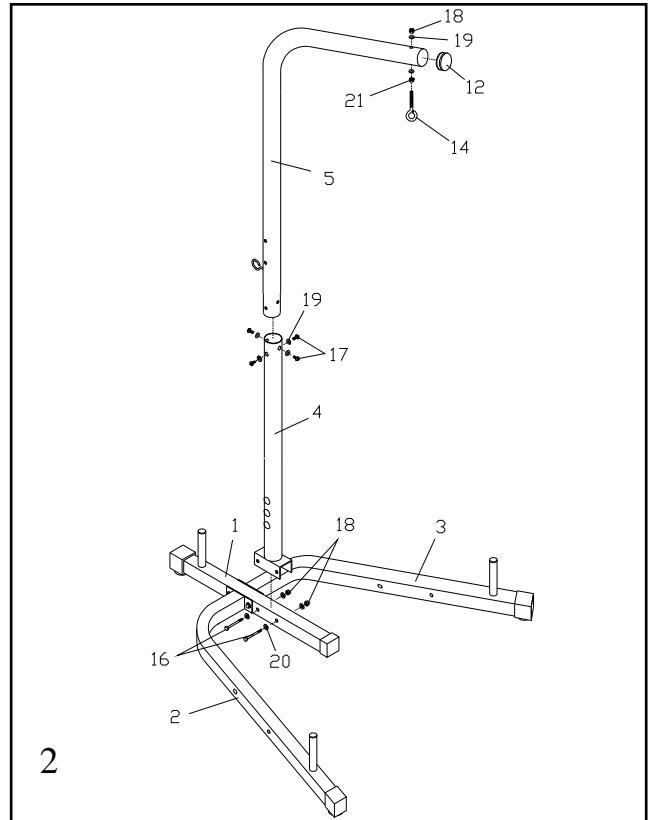
1. ATTACH STORAGE POST (8) INTO THE HOLES ON THE BASE (1,2,3) SECURE WITH BOLT (17), AND WASHER (20) AS SHOWN.
2. PLACE RUBBER END CAP (10) AND RUBBER CAP (11) ONTO THE BASE (1,2,3). ATTACH LEFT BASE (2) AND RIGHT BASE (3) ONTO BASE CONNECT TUBE (1) SECURE WITH BOLT (16), WASHER (20), AND NYLON NUT (18).
3. PLACE 25MM ROUND END CAP (13) ONTO STORAGE POST (8)

FASTEN ALL BOLTS BY USING TOOL.



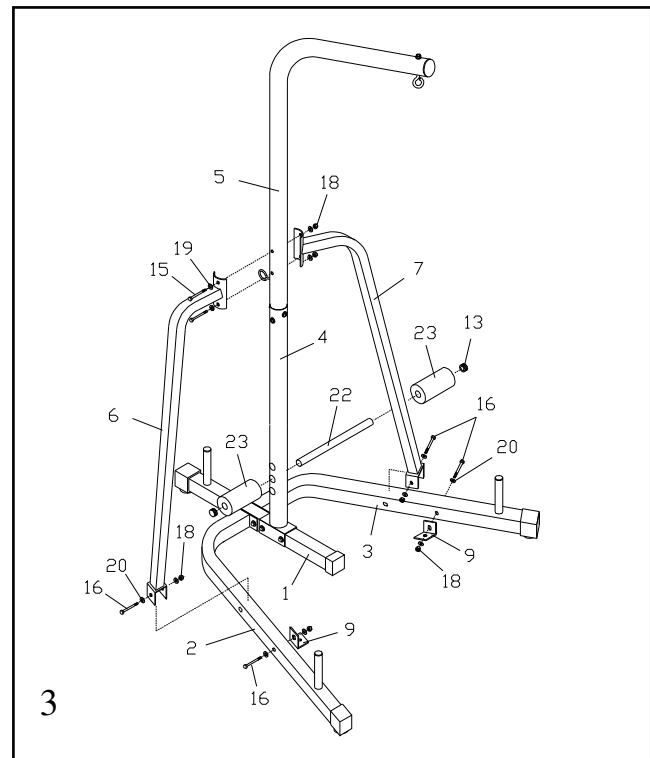
STEP 2

1. ATTACH VERTICAL BEAM (4) ONTO THE BASE CONNECT TUBE (1) SECURE WITH BOLT (16), WASHER (20), AND NYLON NUT (18) AS SHOWN.
2. INSERT TOP CROSS BEAM (5) INTO VERTICAL BEAM (4) SECURE WITH BOLT (17) AND WASHER (19) AS SHOWN.
3. PLACE HOOK (14) INTO TOP CROSS BEAM (5) SECURE WITH NUT (21) ARC WASHER (19), AND NYLON NUT (18) AS SHOWN.
4. PLACE 60MM ROUND END CAP (12) ONTO TOP CROSS BEAM (5).



STEP 3

1. ATTACH LEFT BRACE FRAME (6) AND RIGHT BRACE FRAME (7) ONTO VERTICAL BEAM (4) SECURE WITH BOLT (15), ARC WASHER (19), AND NYLON NUT (18) AS SHOWN.
2. INSERT THE OTHER END OF LEFT BRACE FRAME (6) AND RIGHT BRACE FRAME (7) ONTO THE LEFT BASE (2) AND RIGHT BASE (3) SECURE WITH BOLT (16), WASHER (20), AND NYLON NUT (18) AS SHOWN.
3. ATTACH STEEL PLATE (9) ONTO THE LEFT BASE (2) AND RIGHT BASE (3) AS SHOWN.
4. SLIDE LEG LIFT PAD BAR (22) THROUGH VERTICAL BEAM (4) SLIDE THE LEG LIFT PAD (23) AND 25MM ROUND CAP (13) ONTO LEG LIFT PAD BAR (22) AS SHOWN.





Model No: VIMPSBS

To register your warranty, please go to
www.gpisports.com.au

Distributed Exclusively by :
GPI Sports & Fitness
275 Wellington Road
Mulgrave, VIC, 3170
Australia.